

QPS2-2400-2500-R

SPDT, 2.4~2.5GHz, Reflective

Features:

- * Low Insertion Loss
- * High Isolation

Applications:

- * Wireless
- * Transmitter
- * Laboratory Test
- * Radar

Electrical

Frequency:	2.4~2.5GHz
Insertion Loss:	2dB max.
Isolation:	40dB min.
VSWR:	1.8 max.
Input Power:	30dBm max.
Voltage:	-5V, +5V DC
Current:	50mA max.
On/Off Delay:	200nS max.
Control:	TTL High - 1 TTL Low/NC - 0

Mechanical

Size*1:	30*20*12mm 1.181*0.787*0.472in
Weight:	80g typ.
RF Connectors:	SMA Female
Power Supply Connectors:	Feed Through/Terminal Post
Housing Material:	Aluminum
Mounting:	2*Φ2.2mm through-hole

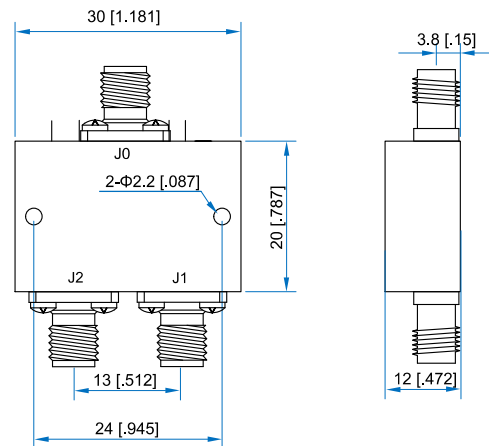
[1] Exclude connectors.

Environmental

Operating Temperature:	-40~+70°C
Non-operating Temperature:	-55~+85°C

Pin Numbering

Pin	Function	Pin	Function
+5V	+5V	C1	Control J1
-5V	-5V	C2	Control J2
G	GND		

Outline Drawings


Unit: mm [in]

Tolerance: ±0.2mm [±0.008in]

Control True Table

C1	C2	Connection
0	0	Open
1	0	J0 - J1 On
0	1	J0 - J2 On
1	1	Open

How To Order

QPS2-2400-2500-R

Customization is available upon request.